

NEO | SCIENCE

HEALTH OPTIMIZATION TECHNOLOGY



NEO | LIGHT

Simple. With 4 preset modes:

1 RESTORE

utilizes red and all 3 infrared frequencies to activate a variety of biological processes. These offer a wide range of applications to help with inflammation, pain, recovery, anti-aging, and collagen stimulation.

2 PULSE

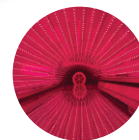
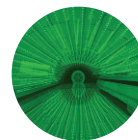
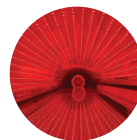
is a pulsed version of RESTORE, which is favored by athletes who need deeper recovery. The high intensity bursts of light have become particularly popular among sports therapists.

3 CALM

is a unique green light mode combined with invisible infrared light frequencies. Studies have shown that green light may reduce the appearance of dark spots while having a positive effect on migraines and light-sensitivity (photophobia). Combined with NEO | LIGHT's invisible yet deeply penetrating infrared light frequencies, CALM was born

4 CLEANSE

offers a combination of red and blue light to reduce bacteria and improve the appearance of the skin. Many smaller devices on the market today target the face specifically while NEO | LIGHT is one of the first whole body applications using red and blue light combined.



Light therapy is an incredibly powerful technology that has been around for decades in the wellness space, thanks to its non-invasive, deeply penetrating healing properties.

NEO | LIGHT'S Goal:

Offer an all-in-one light bed of equal or greater reliability, efficacy, and usability at a competitive price.

The NEO | LIGHT Difference:

In only 8 minutes, clients can get the full benefit of LED light therapy without compromising business turnover. Sure, there have been a wide variety of light therapy devices on the market for years. However, with prohibitively high margins, this modality has not been widely available or approachable.

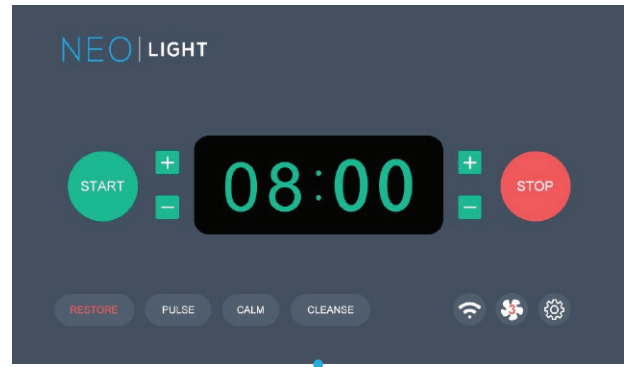
With 4 intuitive preset modes—RESTORE, PULSE, CALM, and CLEANSE—the NEO | LIGHT is easy to use and understand. That means no additional staff required to operate the machine. If someone wants to create their own custom light therapy program outside of the presets, the NEO | LIGHT is fully customizable.



(310) 443 8330

info@neoscience.com

neoscience.com



NEO LIGHT

4 Preset Modes

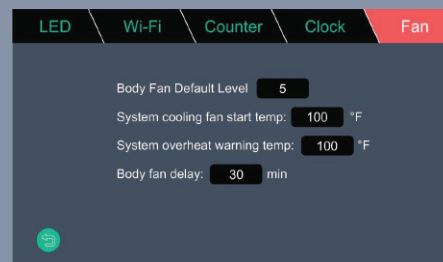
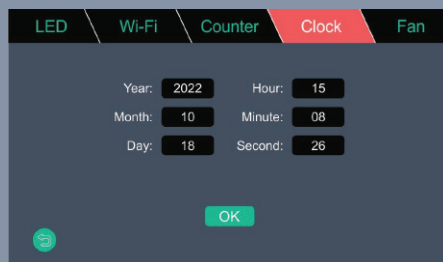
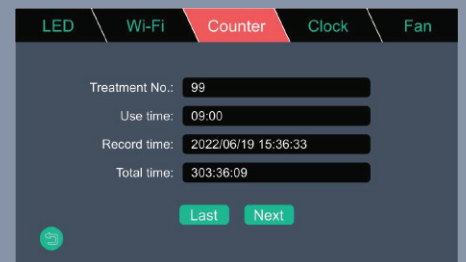
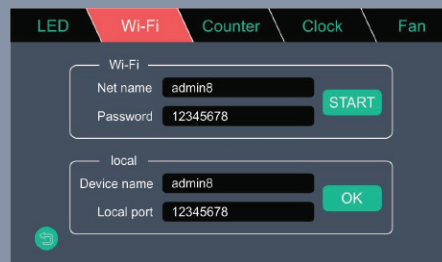
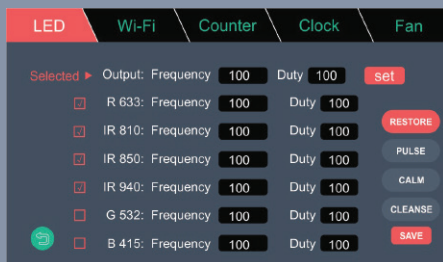
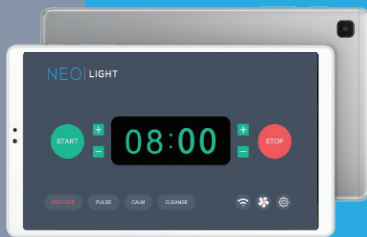
6 Light Frequencies

Fully Customizable

Touch Screen Controller

Remote Control Tablet

Treatment Log



NEO | LIGHT BED Data Sheet

Size

Weight: 350 kg (771.6 lbs)
Dimension (L x W x H):
92.5 x 41.2 x 39.7 inches

Wavelengths

Red:	633	#LEDs:	5280
Green:	532	#LEDs:	5280
Blue:	415	#LEDs:	5280
NIR 1:	810	#LEDs:	5280
NIR 2:	850	#LEDs:	5280
NIR 3:	940	#LEDs:	5280



Additional Specifications

Max Power consumption

28.8 A, 6.3 kW (6,336 W)

Number of LEDs

31,680

Frequency

50/60 Hz.

Voltage

240 V, Single Phase

Electrical Requirements

40/50A dedicated circuit breaker.
8-gauge wiring.

Outlet and Plug (Not Provided)

NEMA 6-50R outlet and matching NEMA 6-50P plug. To be provided by Purchaser.
Outlet must be installed before delivery and matching plug must be provided.

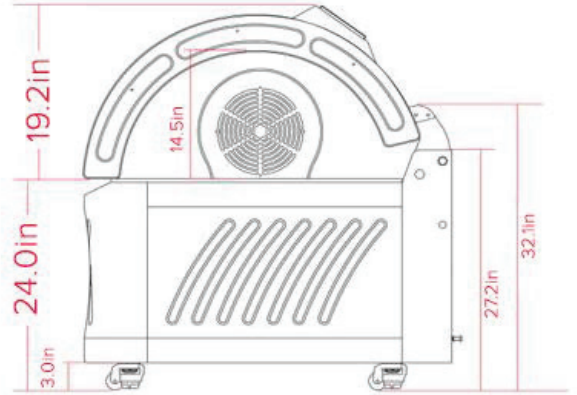
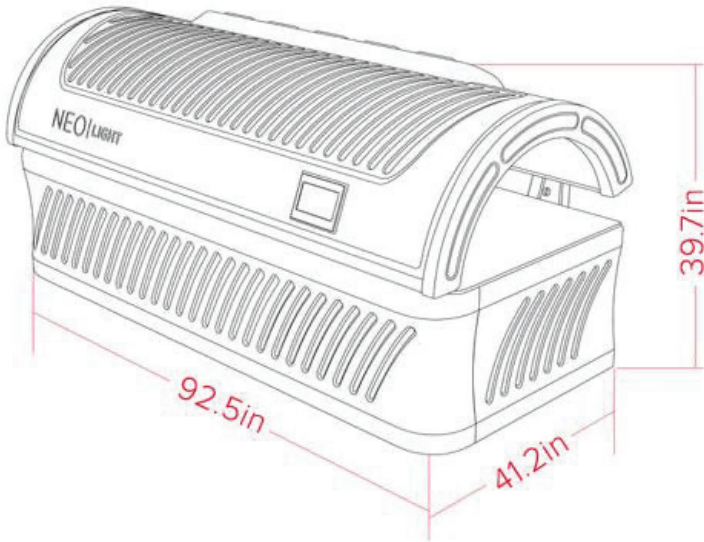
Customization

Operators can create custom modes using any combination of wavelengths.

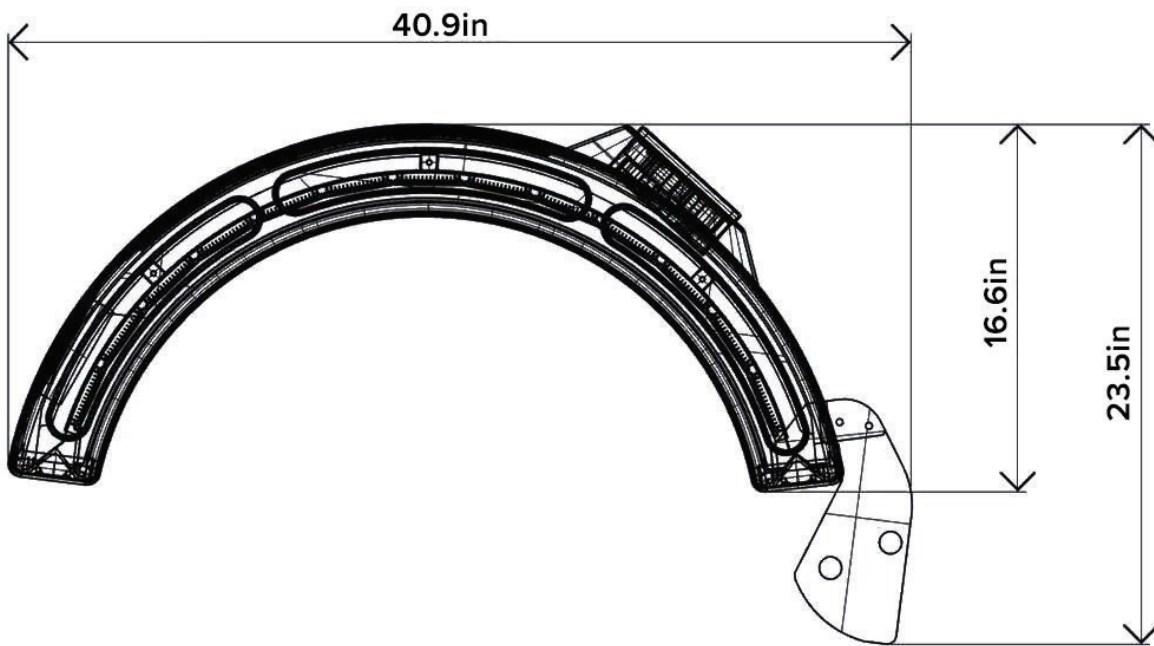
Nogier Frequencies can be selected for each wavelength (0-10,000Hz).

Pulse feature available for each wavelength.

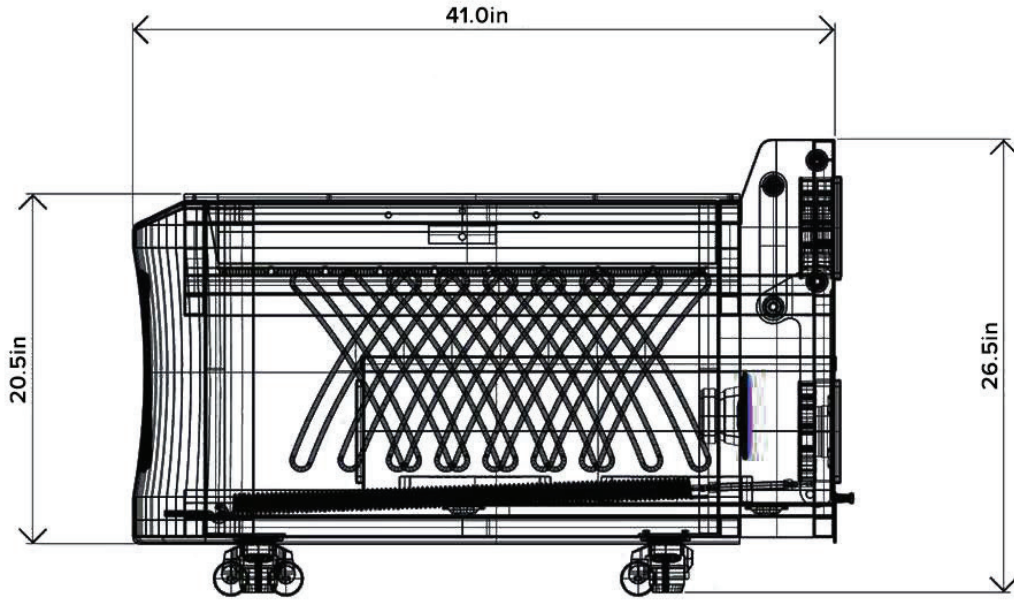
DIMENSIONS



CANOPY SIDE VIEW



BED SIDE VIEW (CANOPY REMOVED)



BED BACK VIEW (CANOPY REMOVED)

